

INSTALLATION GUIDE FOR PCTAL8624BRG, PCTAL8624C, PCTAL8624MBK, PCTAL8632BRG, PCTAL8632C and PCTAL8632MBK

SAFETY INFORMATION

Released Date: 2024-09-15

Please read and understand this entire manual before attempting to assemble, install or operate the product.

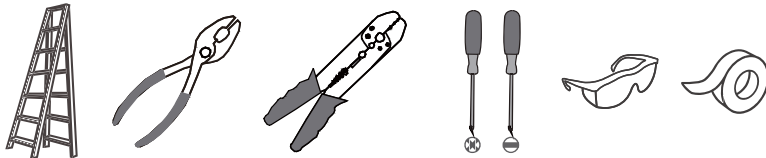
WARNING

• RISK OF ELECTRIC SHOCK - Before beginning installation, turn off electricity at the circuit breaker box or the main fuse box.

• **CAUTION**

• For your safety, read instructions completely before beginning installation.
• If in doubt about electrical installation, consult a licensed electrician.

• **TOOLS REQUIRED**



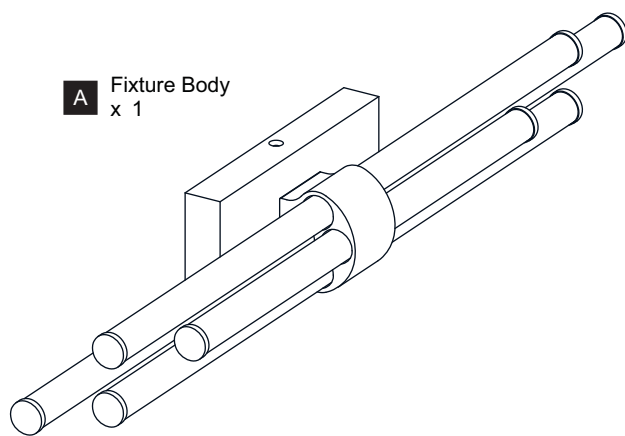
Ratings	120~277Vac, 50/60Hz	
	Model No.	Wattage
	PCTAL8624BRG	18W
	PCTAL8624C	18W
	PCTAL8624MBK	18W
	PCTAL8632BRG	20W
	PCTAL8632C	20W
PCTAL8632MBK	20W	

CARE AND MAINTENANCE

• Wipe clean using soft, dry cloth or static duster. Always avoid using harsh chemicals and abrasives to clean fixture as they may damage the finish.

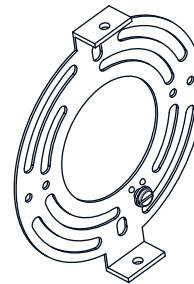
If you need further assistance call Quoizel Customer Care at 1-800-645-3184 (9:00am - 5:00pm EST), or visit us on-line at www.quoizel.com.

PACKAGE CONTENTS



A Fixture Body
x 1

MOUNTING HARDWARE



AA Crossbar
x 1



BB Mounting Screw
x 2



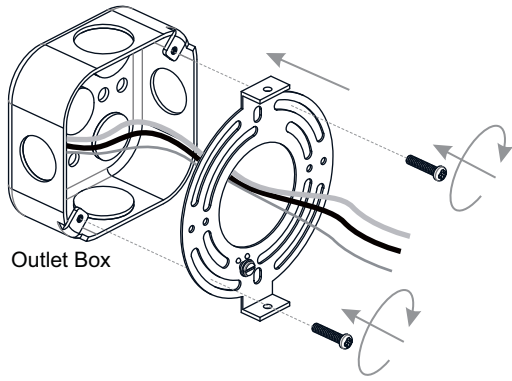
CC Wire Connector
x 3



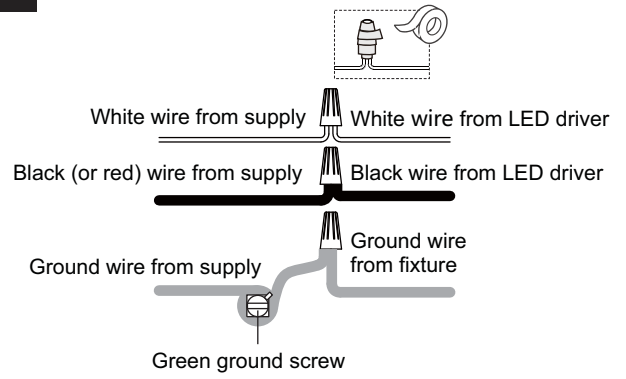
DD Outlet Box Screw
x 2

INSTALLATION

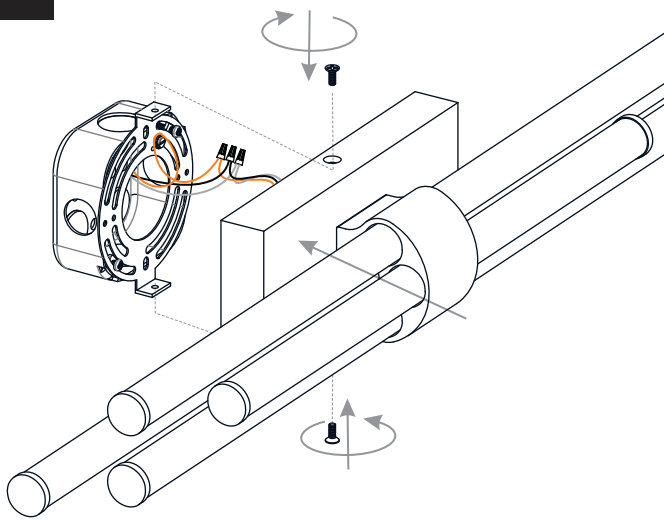
1 Install Crossbar



2 Wiring

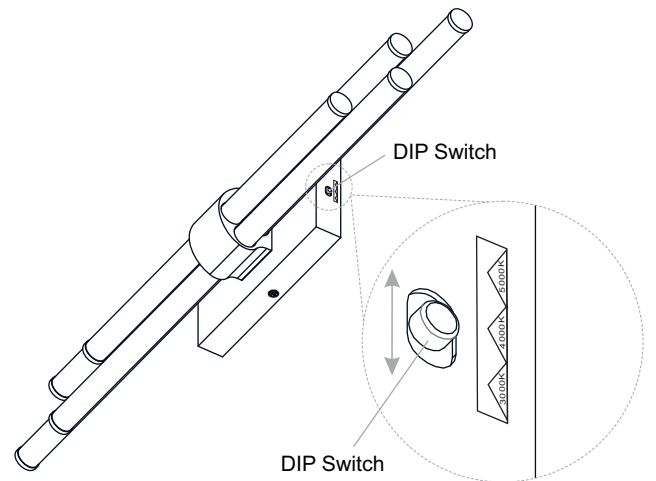


3 Install Fixture Body



4 Adjust Color Temperature

To adjust the color temperature among 3000K-4000K-5000K by using the DIP switch.



Your installation is now complete! Restore electricity and save this sheet for future reference.